

DEPLOY LIGHTER **LAST LONGER**

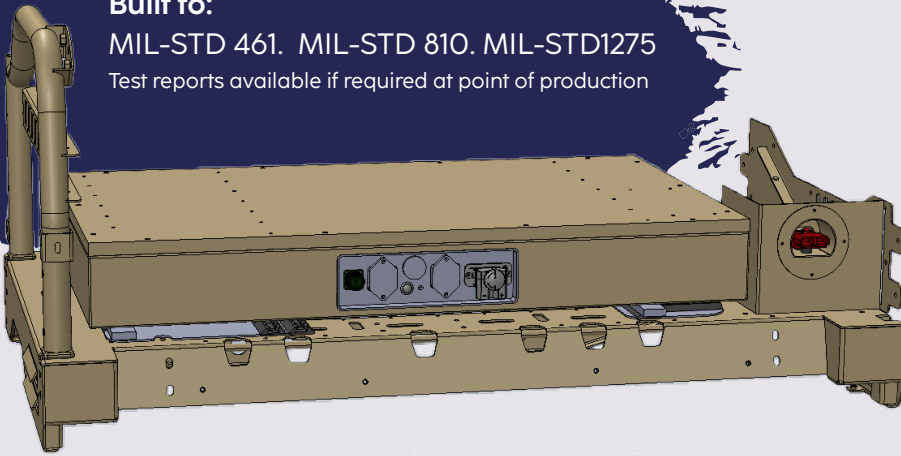
Polaris M-RZR - Auxiliary Power Module (APM)



Built to:

MIL-STD 461. MIL-STD 810. MIL-STD1275

Test reports available if required at point of production



Applications Supported:

- ✓ EO/IOR SENSORS
- ✓ REMOTE WEAPON STATIONS
- ✓ CEMA/SIGINT
- ✓ SOLDIER SYSTEM BATTERY CHARGING
- ✓ COUNTER UAS
- ✓ MOBILE COMMAND POSTS

Robust and lightweight support to tactical energy

The ZAS-PM-093 Auxiliary Power Module has been designed to provide in-service Polaris M-RZR platforms with the upgraded ability to support mission systems and exportable DC power. The APM delivers up to 100A peak power (15mins) at 25.6v (Nominal) to support mission systems and other applications that previously seemed unsupported from the M-RZR platform. The APM is supported directly from the generic M-RZR platform automotive system and requires no additional modifications to the platform.

Designed to mount directly to, and replicate the existing M-RZR load bed the APM provides a low profile, high-capacity, load bearing exportable energy module that meets the increasing demand for battlefield power. With the ability to sustain the system demands both when mobile or static the APM delivers a step change in exportable power for the Polaris M-RZR platform.

The APM can work with an array of existing power inputs such as NATO Socket, 28v DC Generators and Methanol Fuel Cells to support specific mission resilience. Built for the safest operation possible, the APM provides a Mil-STD 1275E, Mil-STD 810G and Mil-STD 461G compliant power solution that increases users mission endurance while reducing their associated logistical demand and need for field generators. As a module the APM can be used mounted or dismounted, or within a trailer via an in-line connection from the M-RZR platform.



Silent Power

Tactical power module delivering silent power



Plug and Play

Quick and easy installation



Reduced Fuel Supply

Reduces overall emissions and reliance on field generators

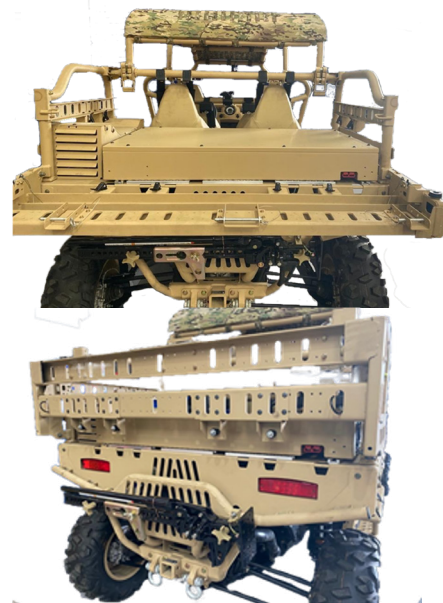


Robust design

Units can be used in extreme environments

Specifications (PN: ZAS-PM-093)

Input Voltage	10-32V
Output Voltage	25.6v nominal (20-28.8v Range)
Output Current Continuous	50A
Output Current Peak	100A (15 Min)
Energy Density	2.8kWh Lithium Iron Phosphate (LiFePo4)
Maximum Charge Current	40A as standard
Dimensions	88.8 x 15.5 x 115cm (DxHxW)
Mil Std Rated	Mil Std 461 EMI. Mil Std 1275 E. Mil Std 810G
LED	NVG Compatible as per Mil Std 3009
Display	Battery Voltage (Push to Operate) & Charge Status LED
Mounting	Koller Rail compliant with platform configuration
Material	Marine Grade Aluminum
Finish	Desert Tan
Weight	<55kg
Operating Temperature	Discharging -32° C to +60°C / Charging -20°C to +50°C
Storage Temperature	-20°C to +50°C
IP Rating	IP65
Protection	Under Voltage, Over Voltage, Short Circuit, Over Charge, Deep Discharge, Circuit Breakers



Designed in the UK

Each unit is manufactured to the exacting standards required for standalone power sources.



Warranty and Service

The unit is covered by our own one year warranty.

ZEROALPHA

— S O L U T I O N S —

info@zeroalphasolutions.com

www.zeroalphasolutions.com

Images are for illustrative purposes only and actual products and examples may differ from those shown. All details correct at time of going to press but subject to change. E & EO.

