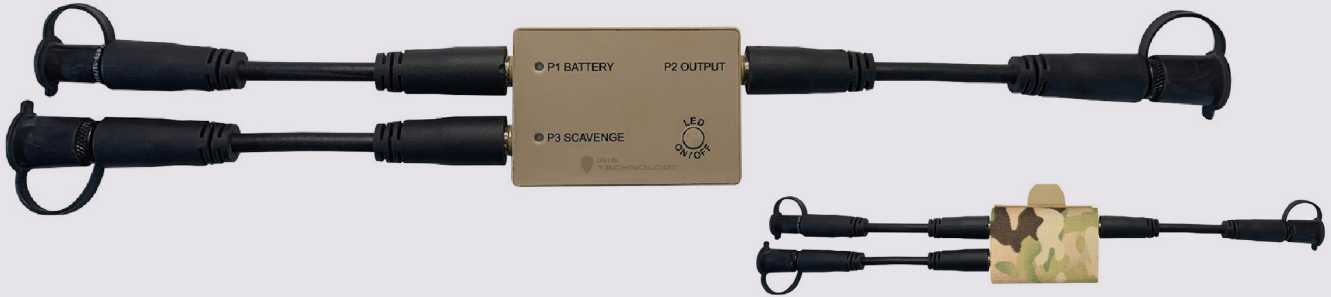
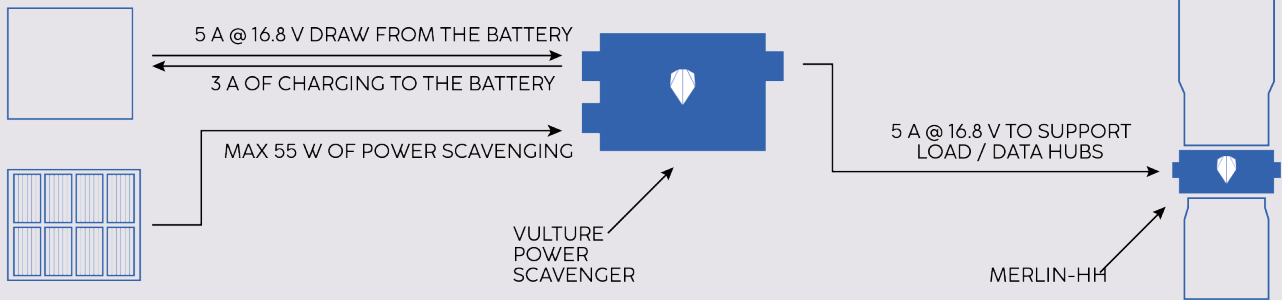


Vulture Power Scavenger



- ANY 4SNP LI-ION
SMBUS BATTERY
- BB-2590
 - CWB
 - BRENTRONICS NETT+



Shown with optional MOLLE compatible pouch

- EXTERNAL POWER
- WALL POWER AC/DC BRICK
 - AUTO PLUG
 - ALLIGATOR CLIPS (BATTERY TERMINALS)
 - ADDITIONAL BATTERIES



Silent Power

Tactical fuel cell that delivers silent power

Keep your gear charged

The Iris Technology Vulture Power Scavenger connects in-line between a wearable “system battery”, a Conformal Wearable Battery (CWB) or 2590 and the rest of the system (radios, DAGR, EUD). The Vulture Power Scavenger architecture is optimized to seamlessly integrate into the US Army Nett Warrior System.

Powered by any DC source within voltage range 5-46 V (including solar), the Power Scavenger can deliver a maximum of 5 A at 16.8 V to system loads. “Scavenged” power is used to offset discharging from the system battery, and will charge the battery if there is excess power available, as a SMBus Level 3 charger.

Currently designed with program specific connectors, variants with different connectors could be produced. The Power Scavenger is wearable and easily mounts to MOLLE with a 2 x 1 footprint in the included pouch. The unit is designed to be MIL-STD-810H, 461G, 1472F, 1275E compliant.



Plug and Play

Quick and easy installation reduce on site time



Reduced Emissions

Reduces overall emissions and reliance on fossil fuels



Robust design

Units can be used in extreme environments

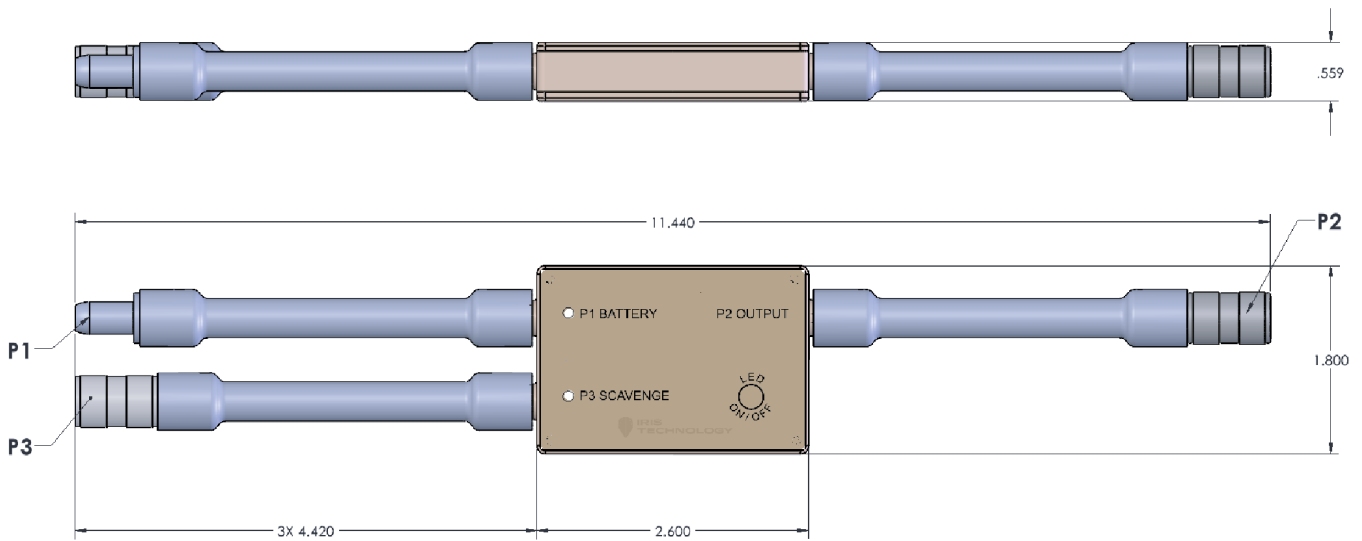
Specifications

Power Input/Output

Connectors	P1 - Glenair 807-309-06ZNU6-6PY P2 - Glenair 807-348-01ZNU6-6SY P3 - Glenair 804-003-01ZNU6-7S
Input Voltage	5–46 VDC
Output Voltage	10–20 VDC
Battery Voltage Range	10–20 VDC
Protection	Over voltage, over current, short-circuit, reverse polarity, EMI filtering, ESD
Fault Recovery	Auto retry
Military Batteries Supported	Conformal wearable battery (CWB) Lithium Ion 2590

Physical Parameters

Size	1.80 x 2.57 x 0.50 in (L x W x H)
Weight	0.245 lb (module), 0.310 lb (with pouch)
Color	Black, tan, green
Operating Temperature	-40 to +55°C
Interface	SMBus 1.1



Designed in the UK

Each unit is manufactured to the exacting standards required for standalone power sources.



Warranty and Service

The unit is covered by our own one year warranty.

ZEROALPHA

S O L U T I O N S

info@zeroalphasolutions.com

www.zeroalphasolutions.com

Images are for illustrative purposes only and actual products and examples may differ from those shown. All details correct at time of going to press but subject to change. E & EO.

